

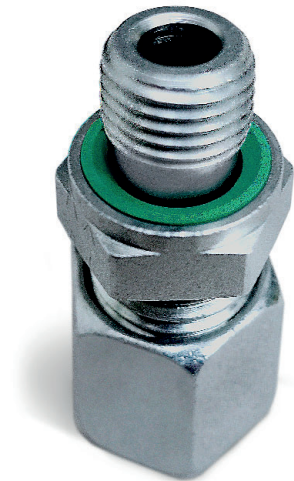


Profile Rings WR-15 according DIN 3869

Profile Rings WR-15



Profile rings WR-15 acc. DIN 3869 are axial-static sealing rings made of elastomer used in threaded joints and tube fittings.



Advantages

- low leakage even with low viscous media
- high resistance to gap extrusion
- low cross-sectional deformation also under pressure
- easy to assemble
- no twisting in the groove

Applications

axial-static seal in threaded joints for:

Construction machinery
Machine tools
Hydraulic presses
Injection molding machinery
Agricultural machinery
Shipbuilding
Hydraulic valves
Fittings

Material NBR 85 black

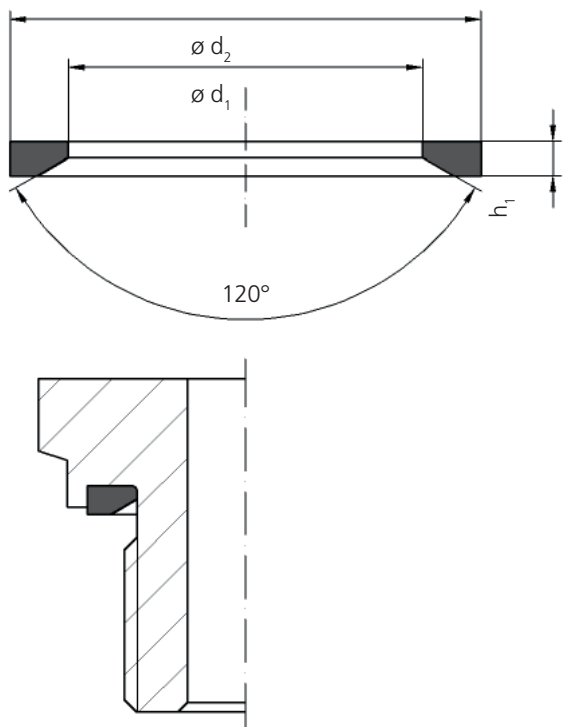
NBR has good resistance to mineral oil-based oils and greases, aliphatic hydrocarbons, vegetable and animal oils and fats, hydraulic oils H, H-L, H-LP, hydraulic fluids HFA, HFB, HFC, silicone oils and silicone greases, water (max. 80°C).

NBR is not resistant to fuels with high aromatic content, aromatic hydrocarbons, chlorinated hydrocarbons, polar solvents, hydraulic fluid HFD, glycol-based brake fluids, ozone, weathering, ageing.

Application temperature range:

-30°C to +100°C





Nominal size	Metric	Inch	Dimensions		
			d_1	d_2	h_1
8	M 8 x 1		6.5	9.9	1.0
10	M 10 x 1	G 1/8 A	8.4	11.9	1.0
12	M 12 x 1.5		9.8	14.4	1.5
14	M 14 x 1.5	G 1/4 A	11.6	16.5	1.5
16	M 16 x 1.5		13.8	18.9	1.5
17		G 3/8 A	14.7	18.9	1.5
18	M 18 x 1.5		15.7	20.9	1.5
20	M 20 x 1.5		17.8	22.9	1.5
21		G 1/2 A	18.5	23.9	1.5
22	M 22 x 1.5		19.6	24.3	1.5
27	M 26 x 1.5	G 3/4 A	23.9	29.2	1.5
	M 27 x 2				
30	M 30 x 1.5		27.7	32.7	2.0
33	M 33 x 2	G 1 A	29.7	35.7	2.0
38	M 38 x 1.5		35.9	43.2	2.4
42	M 42 x 2	G 1 1/4 A	38.8	45.8	2.0
48	M 48 x 2	G 1 1/2 A	44.7	50.7	2.0

Material FKM 80 green

FKM has good resistance to mineral oil-based oils and greases, synthetic oils and greases, aliphatic, aromatic and chlorinated hydrocarbons, hydraulic fluids HFD, vegetable and animal oils and fats, silicone oils and silicone greases, fuels, non-polar solvents, ozone, weathering, ageing.

FKM is not resistant to glycol-based brake fluids, polar solvents (e.g., acetone), steam, hot water, amines, alkalis, low-molecular organic acids (e.g., acetic acid).

Application temperature range:

-15 to +200°C

Material EPDM 80 violet, peroxide cured

EPDM has good resistance to hot water and hot steam, many polar solvents (e.g., alcohols, ketones, esters), many organic and inorganic acids and bases, alkaline washing solutions, silicone oils and silicone grease, ozone, weathering, ageing.

EPDM is not resistant to all kinds of mineral oil products (oils, greases, fuels)

Application temperature range:

-45°C to +150°C

Also available in FFKM evolast® for applications in particularly critical application conditions.

Temperature range according to the different evolast® compounds: either min. -40°C or up to max. +340°C





anyseals NV

Preenakker 2-4
1785 Merchtem
Belgium
T + 32 (0)52 – 38 19 20
E info@anyseals.eu
W www.anyseals.eu

anyseals NV

Office Germany
Hagenau 1
D-22089 Hamburg
T +49 (0) 40-25 32 92 -11
E info@anyseals.eu
W www.anyseals.eu

anyseals, inc.

anyseals USA
10391 Brecksville Road
Brecksville, Ohio 44141, USA
T 866 - 676 - 99 34
F 216 676 - 99 35
E info@anyseals.com
W www.anyseals.com

anyseals NV

Office Taiwan
12F-2, 31 Shizheng North 1st Rd.
Xi-Tun Dist. Taichung 40756
Taiwan
T +886 4 22515813
M +886 933 580148
E info@anyseals.tw
W www.anyseals.tw

where distributors go